

eVO 300
eVO 400

OPHTHALMIC DIAGNOSIS



FOCUSED ON PERFORMANCE

eVO 300



Clarity, fluidity, and ergonomics -- these were the guiding principles in designing the eVO 300 and eVO 400 slit lamps. These two distinct configurations offer a highly efficient illumination system, an accurate apochromatic optical system, and a unique integrated beam splitter for quick camera integration. Both models come equipped with a Wrattan filter for dry eye detection.

A host of cameras and accessories extend the performance of these instruments for digital documentation. Mounted on a durable metal platform, these systems are easy to install and configure to any office environment.

eVO 400



The eVO 300 delivers pristine performance with its 5-step magnification changer and viewing tubes with high eye-relief, ensuring comfort over lengthier procedures. This model offers a more compact housing, and an efficient 20-watt Halogen transmitted light illumination source reduces the need for frequent bulb change.

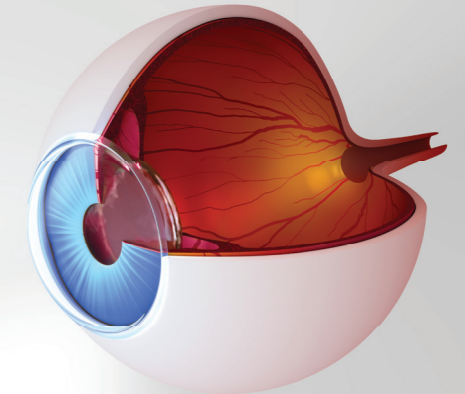
The eVO 400 shares a common optical platform with the eVO 300, but offers a tower style slit projection system that will tilt 20 degrees while delivering crisp images and razor sharp slit projection along the X and Y direction.

The eVO 300 and eVO 400 introduce greater value for the office, thanks to seamlessly integrated beam splitters, making both systems digital-ready on day one. The integration of beam splitter keeps the magnichanger's footprint compact, ensuring comfort for the user.

A Goldmann Tonometer (R-Type and T-Type) accessory with plug-and-play mounting promises precision in alignment and contact for accurate IOP readings. An optional diffuser filter kit can be introduced in the optical path for more enhanced region-of-interest illumination for more brilliant photography.

All optics are lead-free and contact surfaces are treated with antimicrobial paint. Patient chinrest is made of non-toxic and anti-irritation materials, promising safety for both professionals and patients alike.

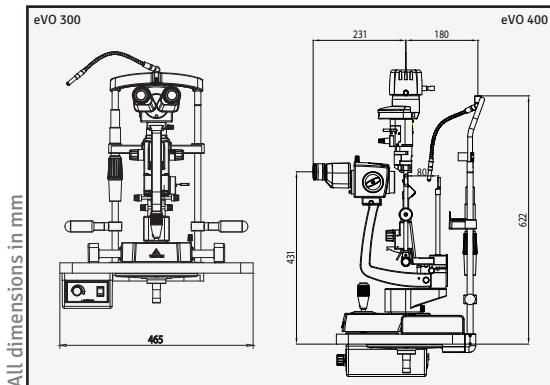
LABOMED MaxLite™ coated optics yield crisp and detailed images that are true in fidelity and artifact-free. These proprietary coatings nearly eliminate internal reflections, while also making surfaces more reliably fog and scratch resistant.



VERSATILITY FOR TODAY'S EYE CARE PRACTICE

eVO 300 / eVO 400

	eVO 300	eVO 400
Microscope	Galilean	Galilean
Magnification	5 step: 6.5X, 10X, 16X, 25X, 40X	5 step: 6.5X, 10X, 16X, 25X, 40X
Eyepieces	WF 12.5X/18 mm, diopter adj. ± 5 mm	WF 12.5X/18 mm, diopter adj. ± 5 mm
IPD range	48.5 - 77 mm	48.5 - 77 mm
Slit length/width	0 - 13.5 mm	0 - 12 mm
Slit apertures	0.6, 5.8, 9, 13.5 mm and continuous 1.5 to 12.0 mm	0.3, 1, 3, 5, 9, 12 mm and continuous 1.5 to 12.0 mm
Slit rotation	0 - 180°	0 - 180°
Slit tilt	-	20°
Filters	Red free, Cobalt blue, Heat absorbing	Red free, Cobalt blue, Heat absorbing, Neutral density
Movement ranges:		
Longitudinal (in/out)	100 mm	100 mm
Lateral (left/right)	107 mm	107 mm
Vertical (up/down)	30 mm	30 mm
Chin rest range	80 mm	80 mm
Illumination	Halogen 6V-20W	Halogen 6V-20W
Table base size	465 mm X 316 mm	465 mm X 316 mm
Weight	25 kg (packed)	24 kg (packed)
Voltage	100-240V AC	100-240V AC
Frequency	50-60 Hz	50-60 Hz
Optional accessories	Tonometer, Beam splitter, Cameras, Diffuser, Motorized table	Tonometer, Beam splitter, Cameras, Diffuser, Motorized table



DESCRIPTION

eVO 300
eVO 400

CONFIGURATION

Slit Lamp
Slit Lamp

CATALOG NO.

8126200
8127200



Labo America, Inc.
920 Auburn Court
Fremont, CA 94538

Tel: (510) 445-1257
Fax: (510) 445-1317
E-mail: sales@laboamerica.com

www.laboamerica.com

With a policy of continuous development, Labo America, Inc. reserves the right to change design and specifications without prior notice.



ISO 9001:2008

Distributor

LABOMED 

8126600-796 1.1
© Labo America, Inc. All rights reserved.

SPECIFICATIONS